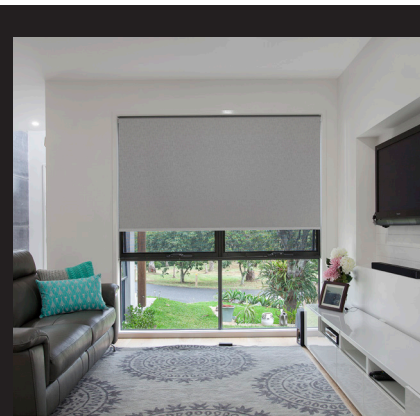




**"Your roller blind solution that doesn't need screws or brackets when fixing into your window surrounds"**



## AVAILABLE OPERATION



Manual -  
Chain operated



Motorised -  
Remote Control

## What is MagicFix?

Franklyn's New MagicFix Roller Blind System has an innovative friction mechanism using tension that magically sticks to your window reveals. The roller blind top tube fittings have specially designed friction pads that when adjusted, stick firmly to the window reveals.

As you can imagine windows are an integral and costly part of a building and these days more owners of commercial buildings are now insisting that NO FIXINGS (screws etc.) be used when installing blinds to their window frames or surrounds.

Franklyn MagicFix Roller Blinds are also perfect for windows where there are ceramic tiles, granite, marble or any other fragile material. It is ideal for rental properties, as the roller blinds can be installed and removed without causing damage to the window reveals, saving both tenant and landlord much grief.

## Features and Benefits

- No screws or permanent fixings required
- Fits in reveal as shallow as 60mm. The entire mechanism must be touching inside the reveal of the window.
- Block out fabrics or sunscreen fabrics available to suit residential or office décor
- Remote controlled motorisation available, with optional smart phone technology allowing you to operate the blind at any time of the day, from anywhere in the world. Solar panel charging also available.
- Can be installed behind existing curtains or face-fitted blinds to provide the ultimate black-out for a child's bedroom or shift worker.
- Manufactured to meet child safety laws.

## Limitations

- Approximately 25mm gap on each side of fabric
- Reveal Fit only- cannot be face-fitted
- Maximum width 2400mm
- Maximum drop 2500m
- Maximum weight 6kg



"Frankly only Franklyn will do"

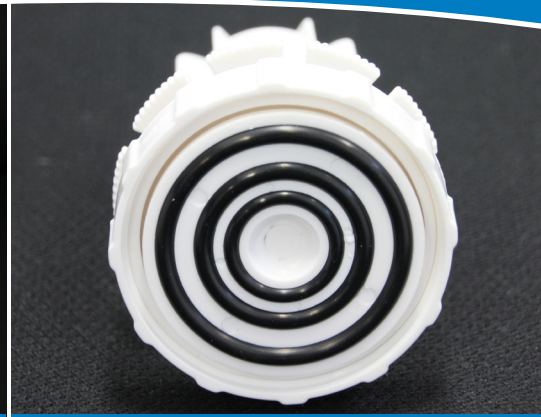
# MAGICFIX INSTALLATION



OPERATING END

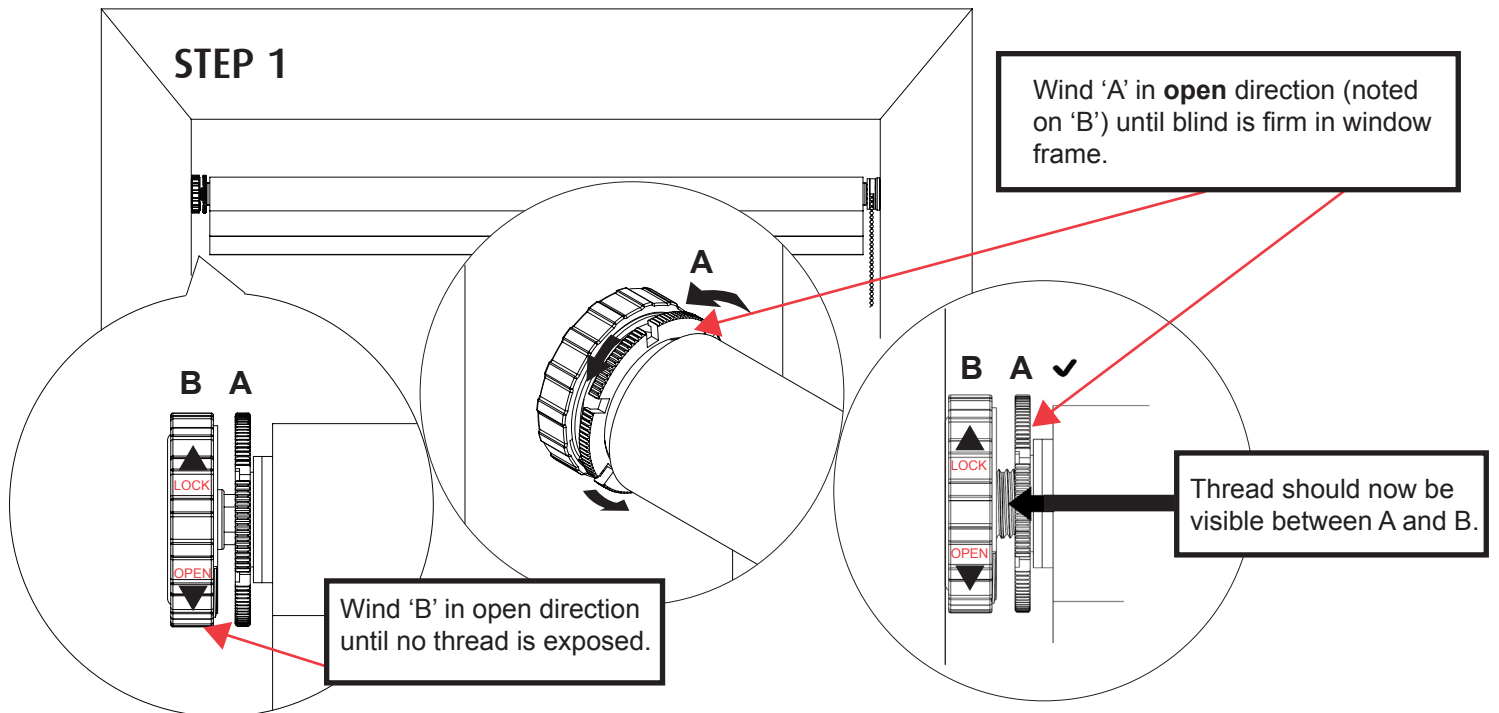


TENSION END



END FRICTION PAD

## STEP 1



## STEP 2

